



Revised Date: 09/16/2004
Application No. 10/726,487
Filing Date: 12/04/2003
First Named Inventor: Ramgopal Vissa
Confirmation No. 7523
Examiner: Fastovsky, Leonid M
Art Unit: 3742
Date Mailed by Examiner: 07/08/2004
Date Returned from Inventor: 09/19/2004

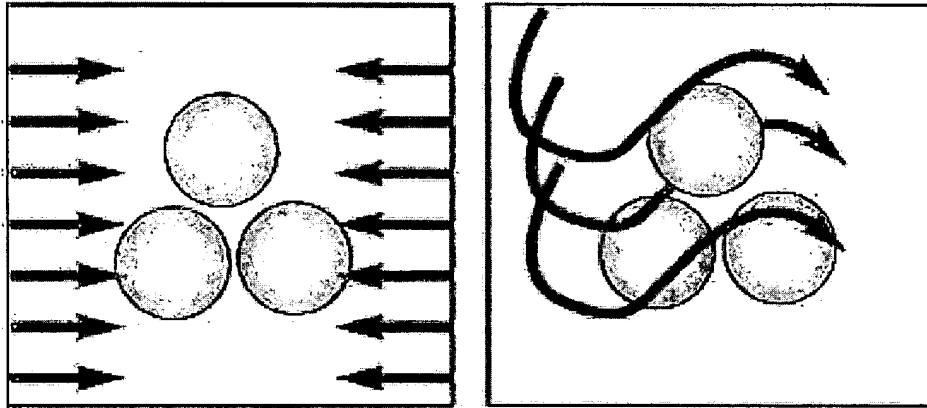


Figure 1.

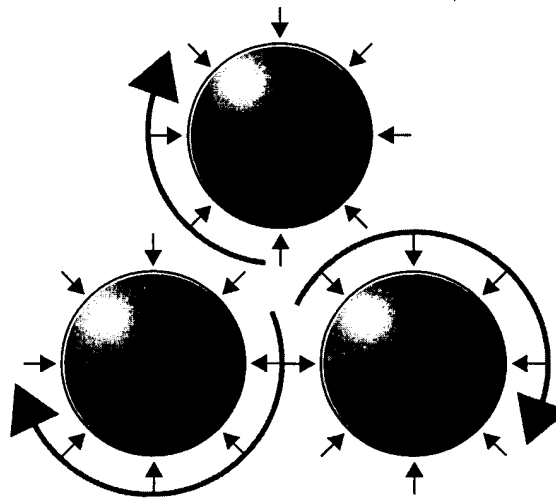


Figure 2.

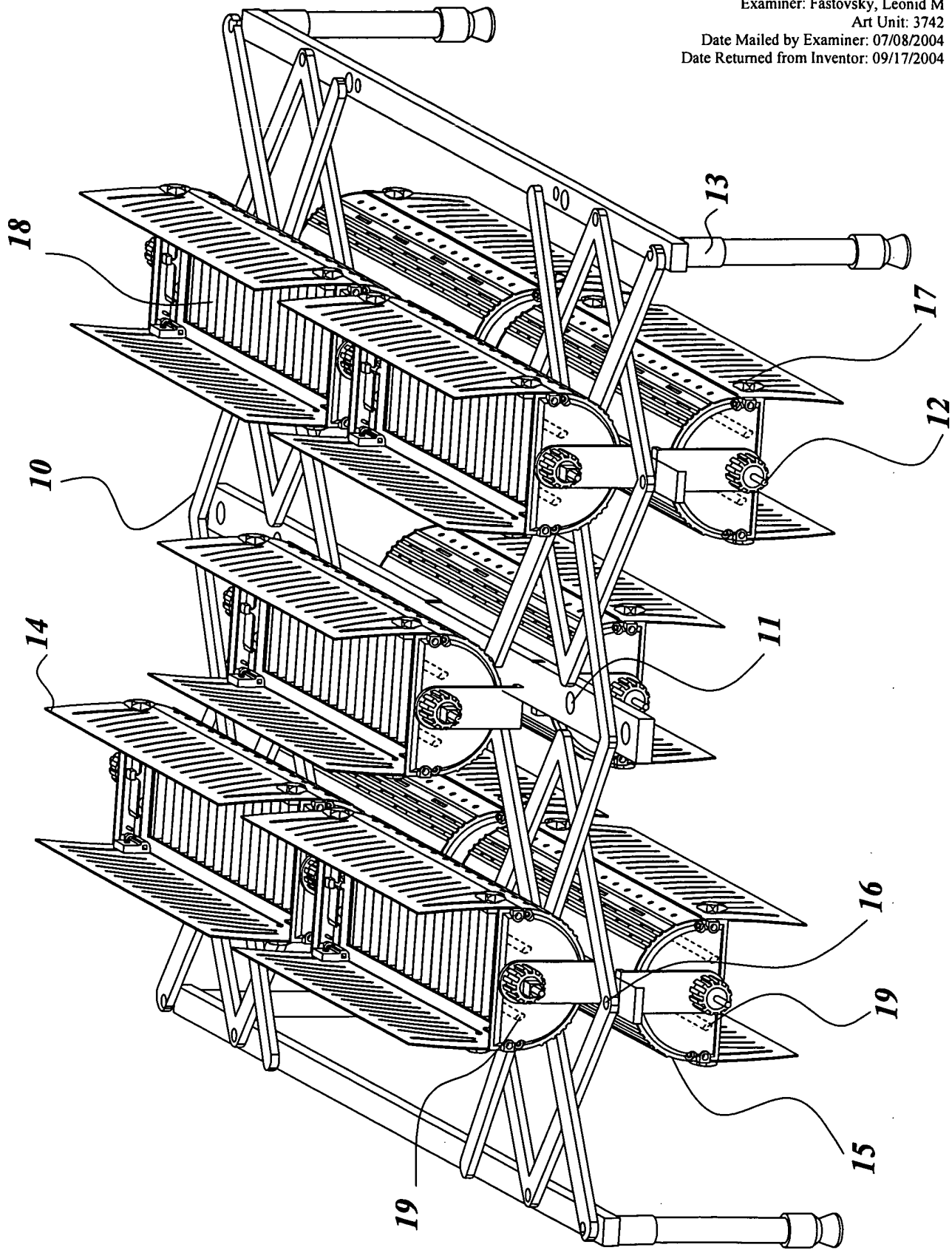


Figure 3

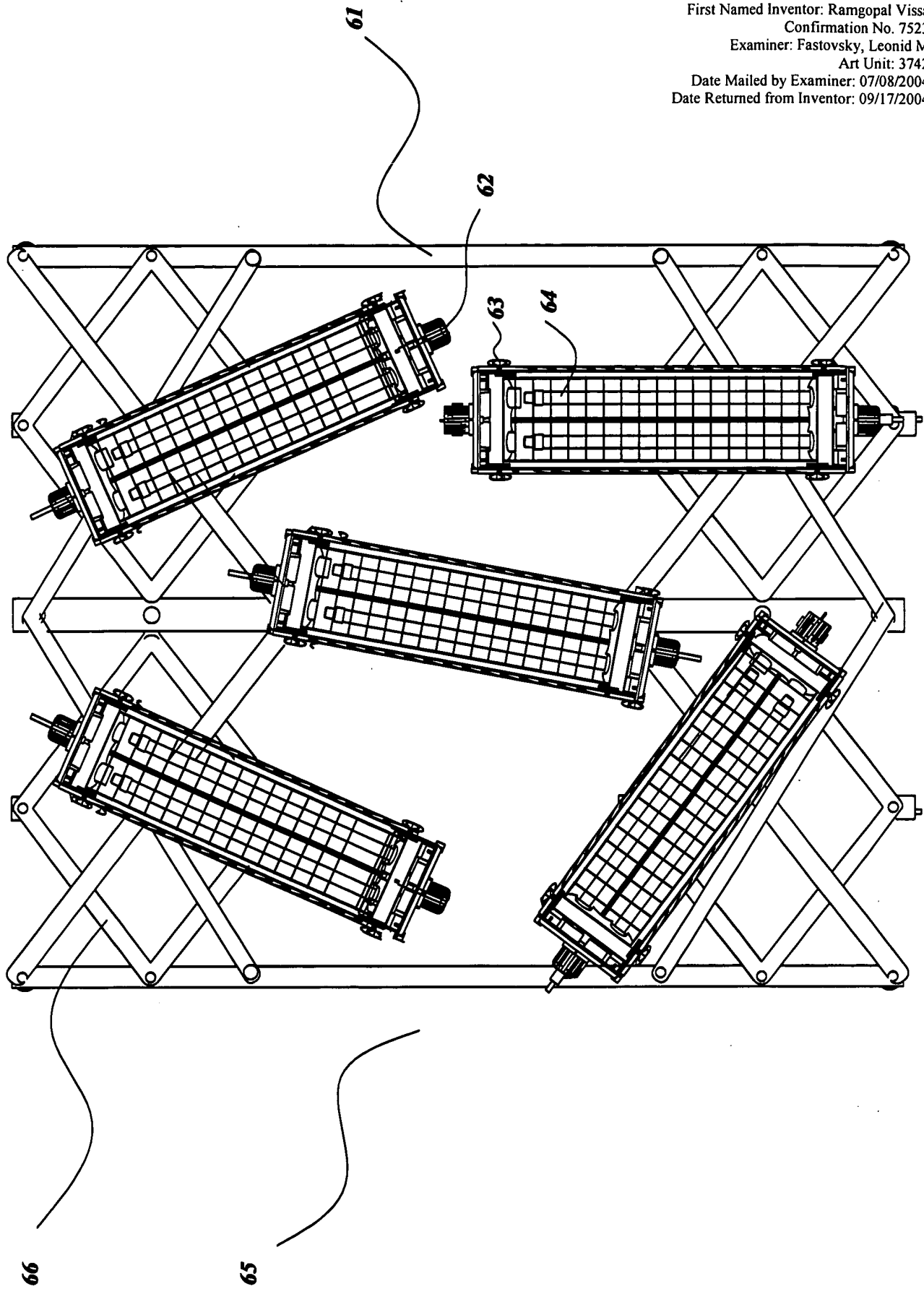


Figure 4

Revised Date: 09/16/2004
Application No. 10/726,487
Filing Date: 12/04/2003
First Named Inventor: Ramgopal Vissa
Confirmation No. 7523
Examiner: Fastovsky, Leonid M
Art Unit: 3742
Date Mailed by Examiner: 07/08/2004
Date Returned from Inventor: 09/17/2004

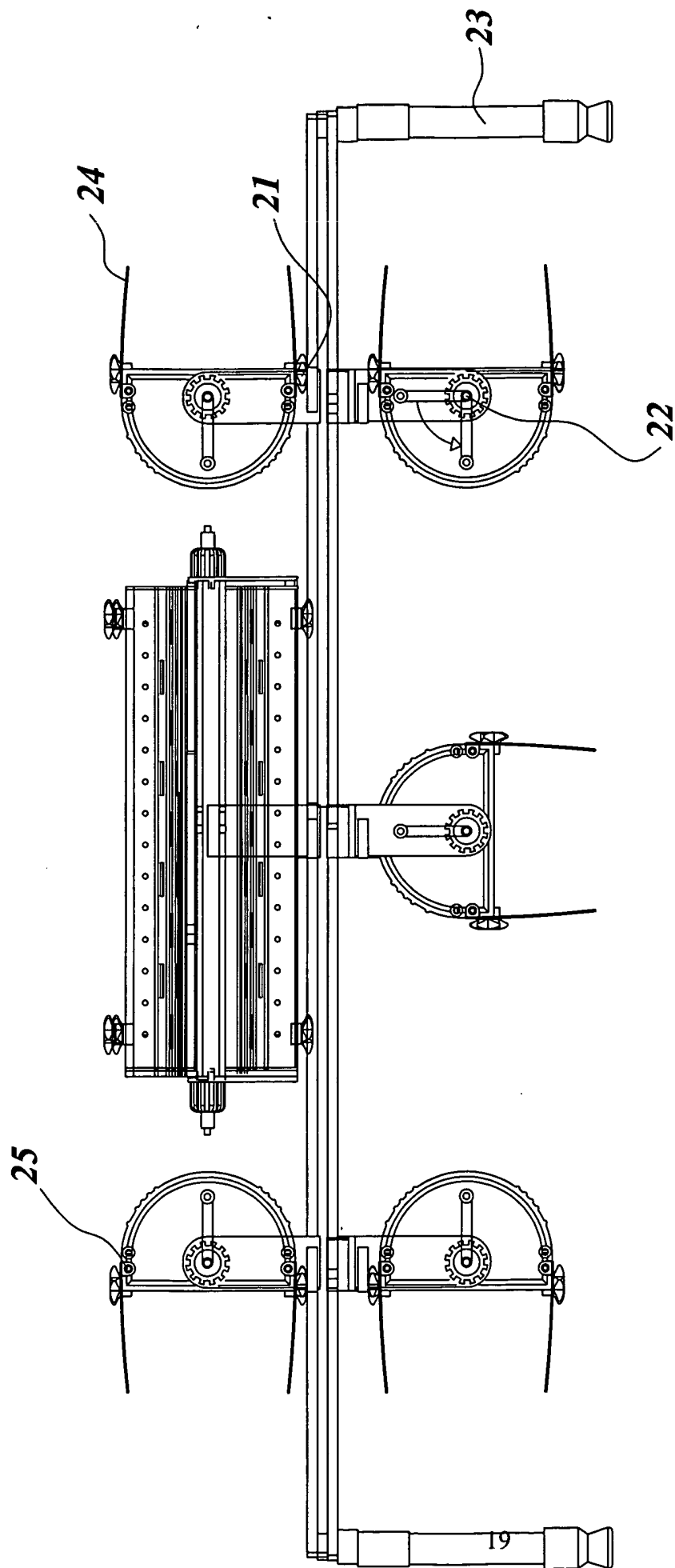


Figure 5

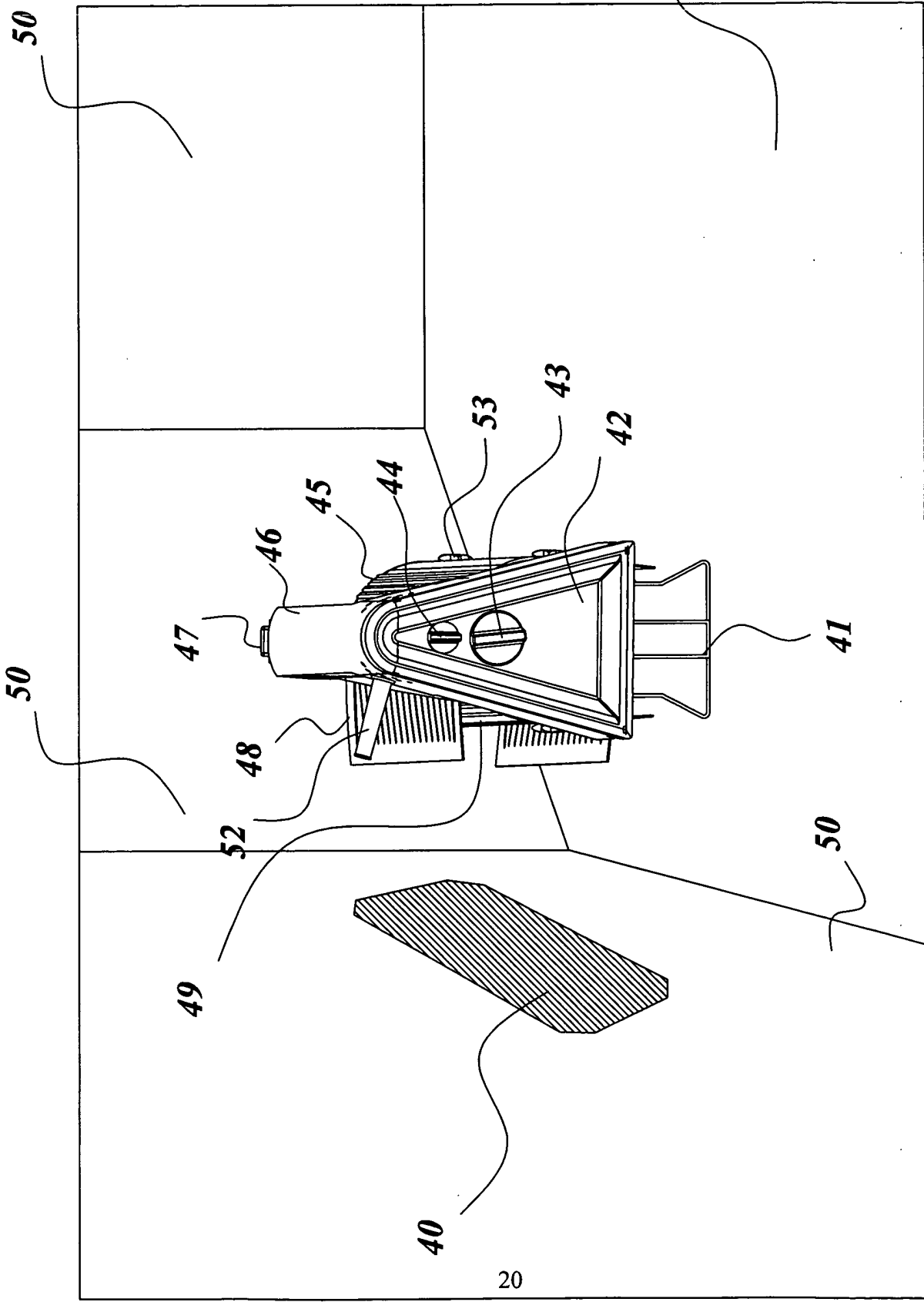


Figure 6

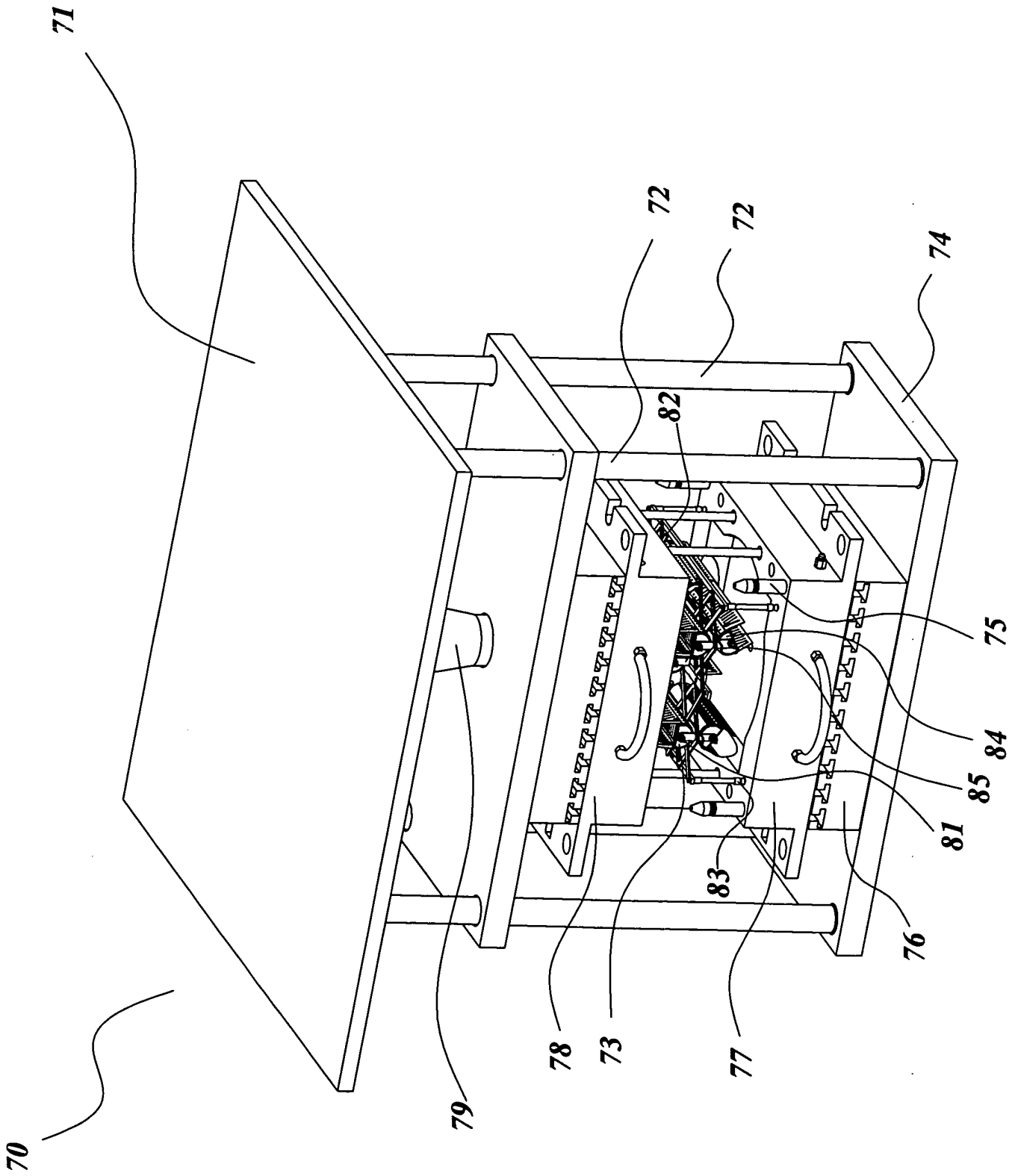


Figure 7